

RTRD 7 speed control Systemair

7A 3~ 5 step

Item Number: 5943

Variant: 400V 3~ 50/60Hz

Manual five-step transformer (with motor protection)

A three-phase transformer which controls the fan speed by altering the supply voltage in five fixed steps. The steps are adjusted manually, using the control knob on the front of the unit.

An integral motor protection device is included which cuts the supply voltage to the fan if the thermal contact in the fan motor is activated. The unit is reset by turning the knob to "0" for 10 seconds, after which the unit restarts.

Input terminals for room thermostat RT and frost protection thermostat FS cut supply voltage to the fan when the circuit is broken. When the frost protection thermostat FS breaks the circuit, it is reset in the same way as when the TK is triggered. Terminals are linked before delivery. The indicator lamp on the front shows that the transformer is in operation.

The transformer has 230V terminals for operating dampers, electric heater batteries or other external equipment. These terminals have no current when the transformer knob is in position 0, or when the TK or RT input is open. Supply voltage: 400V 50/60Hz.



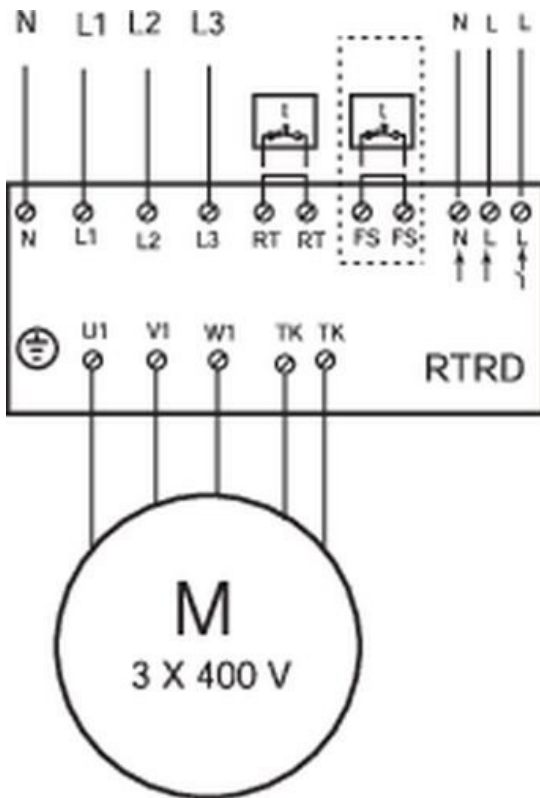
Technical parameters

Nominal data		
Voltage (nominal)	400	V
Frequency	50; 60	Hz
Phase(s)	3~	
Input current	7	A
Protection/Classification		
Enclosure class	IP21	
Controller and Sensors		
Max. Power dissipation	110	W

Dimensions and weights

Depth	172	mm
Height	323	mm
Width	270	mm
Weight	15.5	kg

Wiring



Documents

- IMO RTRD, RTRDU_DE_GB_FR_SE.PDF
- EU_declaration_of_conformity_CXE_AVC Modbus, PXDM, RTRD_RTRDU, RETP, REPT_SE.pdf